



Maraton[®]

BRAKE PADS PARTS

sales@maraton.com.my



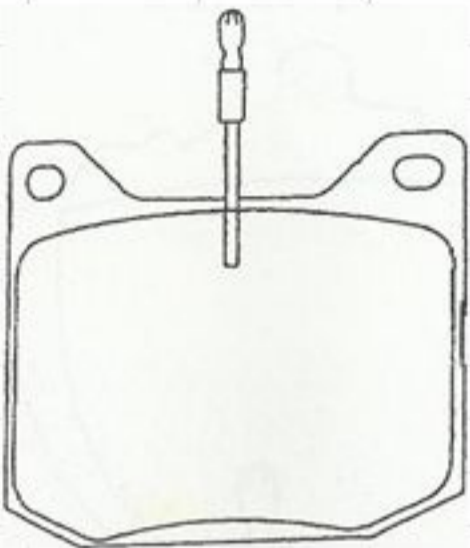

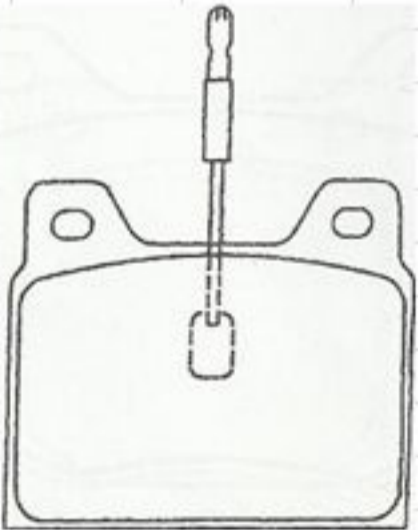
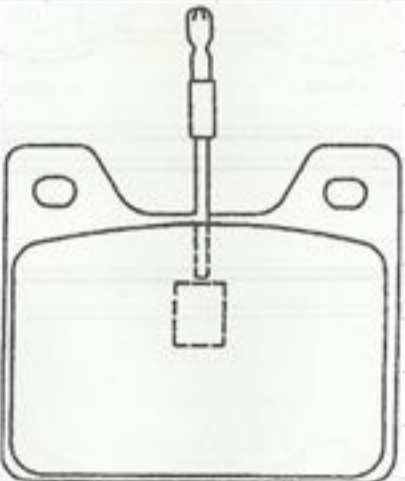
By MHM Consortium Sdn. Bhd.

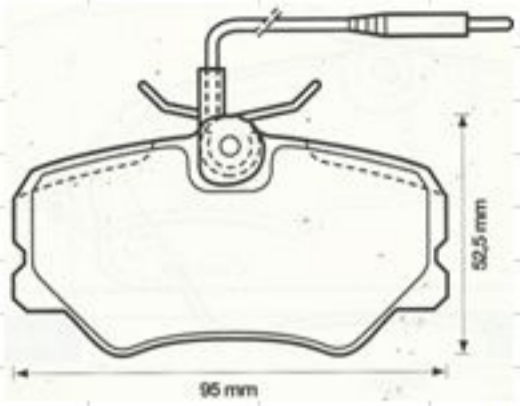

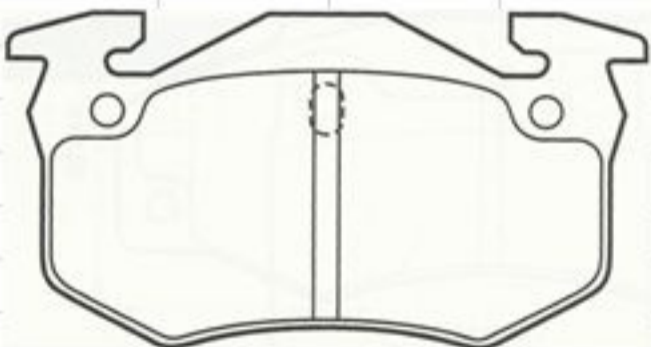

TEL: +603 7734 4141 / 6012 320 6840

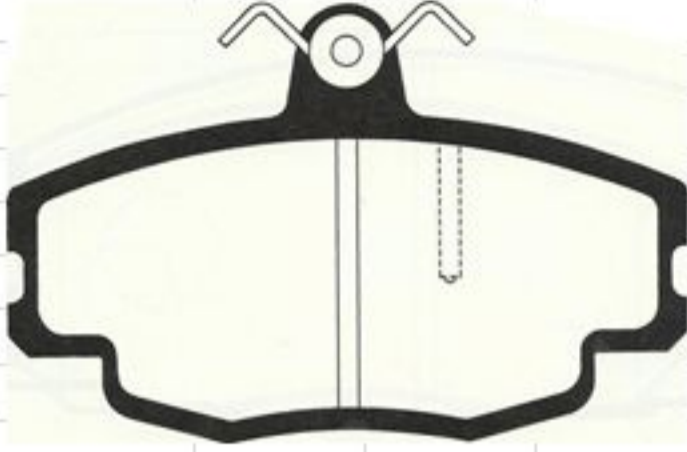

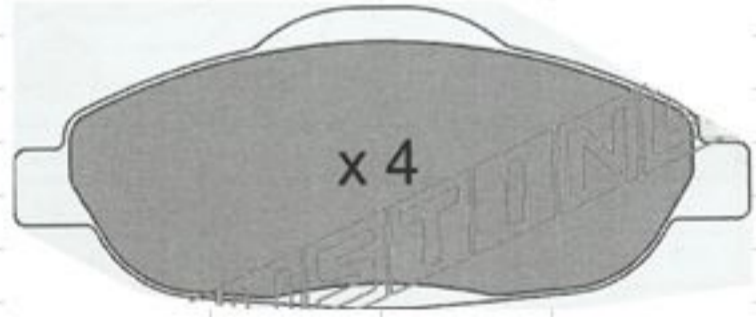
FAX: +603 7734 1945

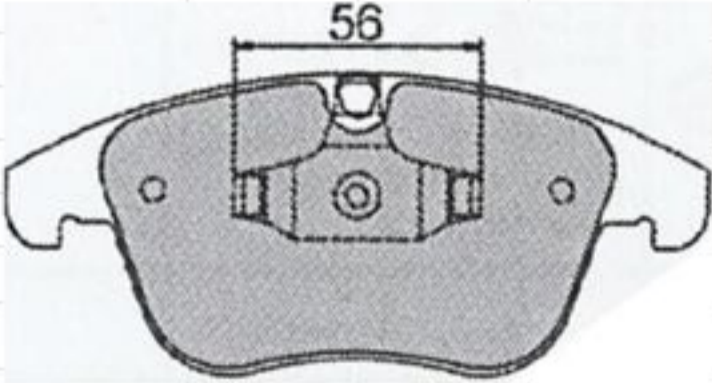
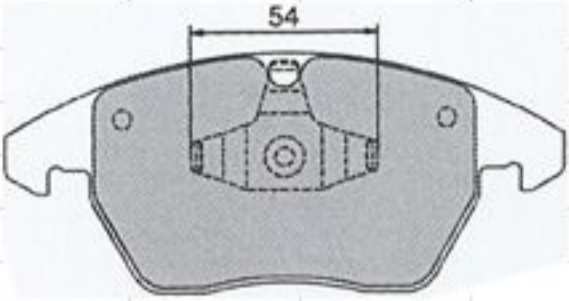
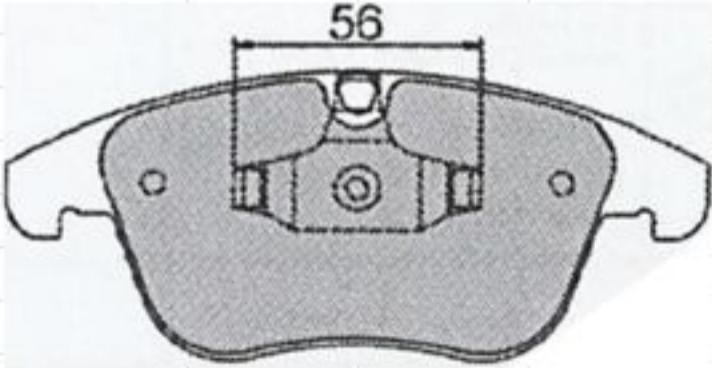

Made in Malaysia

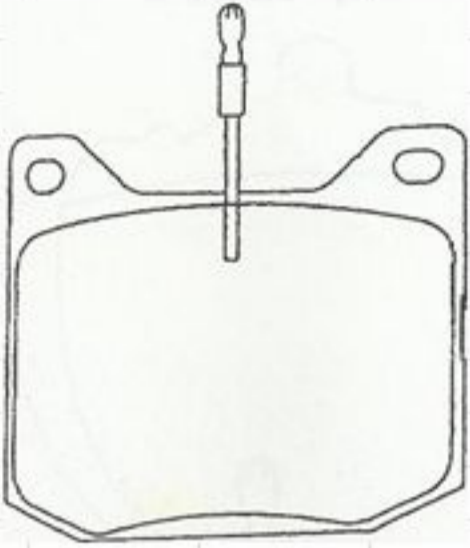
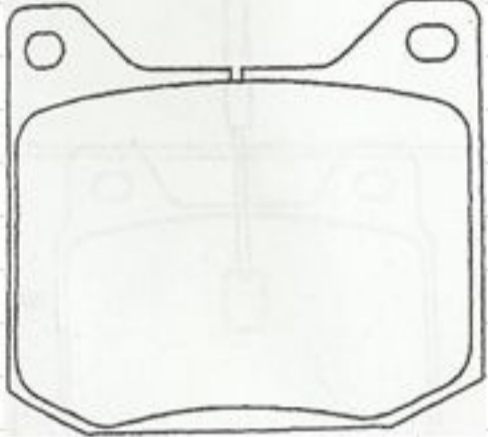
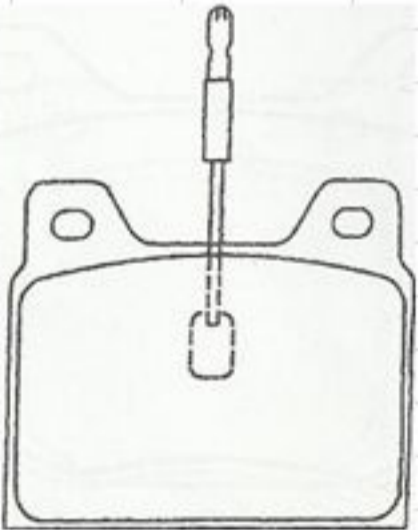
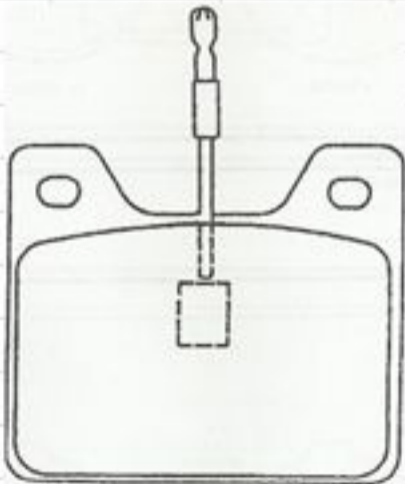
WWW.MARATON.COM.MY

PEUGEOT		DISC BRAKE PAD	
42	FRONT		FRONT
20145	Z-16.5mm		Z-16.5mm
			
NOTE : WIRE LENGTH -65mm X-78.3,Y-64.3 , Z-16.5 NOT IN SCALE		X-78.3,Y-64.3 , Z-16.5 NOT IN SCALE	
504		504	
WITH WIRE 1971-83		WITHOUT WIRE 1971-83	
71	FRONT	43	REAR
20253	Z-16.2mm		Z-14.2mm
			
X-68.0,Y-55.0 , Z-16.2 NOT IN SCALE			
504		504	
GL 1971-82		GL 1971-82	
Ti,Sti 80-93		Ti,Sti 80-93	
604		604	
GL,SL,GTI 76-81		GL,SL,GTI 76-81	

PEUGEOT		DISC BRAKE PAD			
1258	FRONT	1258	8172	FRONT	
21209	Z-19.0mm			Z-17.5mm	
					
451		SP1180			
21210	X-95.0,Y-52.5 , Z-19.0				
P158W-31	NOT IN SCALE				
405			MP3605	X-131.0,Y-47.4 , Z-17.5	
SRI,Gti FUEL INJECTION			P145-30	NOT IN SCALE	
405 (15B)/15E					
1.9i/ 4WD,SPORT MI 92-93			PARTNER		
1.8TD 92-93			2.0 Hdi (90HP) 2002-		
306(7A/7C/N3/N5)/(7B/N3/N5)					
2.0iXSi,2.0i S16 94-97					
1301	REAR	1301	1757	FRONT	8232
20973	Z-11.0mm		23597	Z-17.5mm	
					
P143-30	X-105.0,Y-54.4 , Z-11.0		SP1179		
20974	NOT IN SCALE		23598	X-131.0,Y-47.4 , Z-17.5	
				NOT IN SCALE	
205			206 /206 SW		
1.6/1.9 Gti,87-94			1.1/1.4/1.4/1.6 00-07		
206			1.4 Hdi EC070/1.9D 00-02		
1.6,2.0 GTI BENDIX DISC					
2.0 GTI BOSCH DISC					

PEUGEOT		DISC BRAKE PAD			
270	FRONT	270	1923	FRONT	
21460	Z-18.0mm		23599	Z-17.5mm	
					
21400 X-99.87,Y-63.9 , Z-18.0 21613 NOT IN SCALE		23598 X-131.0,Y-47.4 , Z-17.5 NOT IN SCALE			
206					
1.6,2.0 Gti Hdi BENDIX DISC					
307					
1.4i 01-NOW					
1.6,1.6D,2.0 BOSCH 283mm DISC 01-08					
1.6,1.6D,2.0 LUCAS 247mm DISC 01-08					
207					
1.4 HATCH & WAGON 06-					
				FRONT	8477
			24660	Z-18.0mm	
					
		DB2119 X-151.2,Y-61.8 , Z-18.0 NOT IN SCALE			
308 SERIES					
1.4/1.6 16V Hdi 2007-					
2.0i 16V 2009-					
3008 SERIES					
1.6i 16V 2009-					
1.6 16V Hdi 2009-					

PEUGEOT		DISC BRAKE PAD		
	FRONT		FRONT	
24084	Z-18/18.5mm		23589	Z-19.0mm
				
	X-155.2,Y-66.6,Z-18.5		X-155.2,Y-66.,Z-19.0	
24332	X-155.2,Y-71.9,Z-18.0		24153	X-156.2,Y-71.3,Z-19.0
	NOT IN SCALE-		NOT IN SCALE-	
508			207	
1.6i 16V THP(115KW 156HP)/SE 2011-			1.6i 16V TURBO Gti/RC 06-	
2.0Hdi (120KW 163HP) /SW 2011-			307	
			2.0i 16V,Hdi/CABRIO/S.WAGON 03-08	
			308	
			1.6i 16V THP 08-09	
			2.0 16V,Hdi 07	
			3008	
			1.6/2.0 16V THP/Hdi 09-	
			RCZ	
			1.6i 16V THP /2.0 Hdi 163HP 2010-	
	FRONT		945	REAR
24557	Z-18.5/19.0mm		21279	Z-15.0mm
				
	X-155.2,Y-66.6,Z-18.5		X-63.9,Y-57.6 , Z-17.0	
24558	X-155.2,Y-71.9,Z-19.0		NOT IN SCALE	
	NOT IN SCALE-			
5008			605	
1.6i 16V THP 09-			2.0i 90-91	
2.0 16V Hdi 09-			2.0i 91-99	
			2.0i 16V 91-99	
			3.0i 91-97	
			(NEED DRILL HOLE FOR SENSOR WIRE)	

PEUGEOT		DISC BRAKE PAD			
42	FRONT			FRONT	
20145	Z-16.5mm			Z-16.5mm	
					
NOTE : WIRE LENGTH -65mm X-78.3,Y-64.3 , Z-16.5 NOT IN SCALE		X-78.3,Y-64.3 , Z-16.5 NOT IN SCALE			
504				504	
WITH WIRE 1971-83				WITHOUT WIRE 1971-83	
71	FRONT			43	REAR
20253	Z-16.2mm				Z-14.2mm
					
X-68.0,Y-55.0 , Z-16.2 NOT IN SCALE					
504				504	
GL 1971-82				GL 1971-82	
Ti,Sti 80-93				Ti,Sti 80-93	
604				604	
GL,SL,GTI 76-81				GL,SL,GTI 76-81	



The Globe Leader For Automotive Brake Pads

MHM Consortium Sdn. Bhd.

**D-3A-12, Capital 4, Oasis Square, No. 2, Jalan PJU 1A / 7A,
47301 Petaling Jaya, Selangor. Malaysia.**

Tel: +603 7734 4141, Mobile: +6012 320 6840

Fax: +603 7734 1945

Email : sales@maraton.com.my

Website: www.maraton.com.my